

---

# ***INTERMOT - ADVANCED - MOTORS***

## ***IAM SERIES***

---

### ***H5 MODEL***

---

***IAM 1000-1200-1400  
1500-1600-1800  
2000-2200 H5***

***IAM 1200-1400-1500/C H5***

***IAM 1600-1800-2000  
2200/C H5***

***IAM 1000/B60 - 1400/B80  
1600/B100 H5***

***IAM 1000-1200-1400  
1500-1600-1800  
2000-2200 H5***

---

## ***INDEX***

---

TECHNICAL DATA	Pag. 72
IAM H5 1000-1200-1400-1500-1600-1800-2000-2200	" 73
IAM H5 1200-1400-1500/C	" 74
IAM H5 1600-1800-2000-2200/C	" 75
IAM H5 1000/B60-1400/B80-1600/B100	" 76
IAM H5 1000-1200-1400-1500-1600-1800-2000-2200/GM5 (S)	" 77
ORDERING INSTRUCTIONS	" 78
GRAPHIC PERFORMANCES H5 1000-1200-1400-1500	" 79
GRAPHIC PERFORMANCES H5 1600-1800-2000-2200	" 80

---

# TECHNICAL DATA

# H5

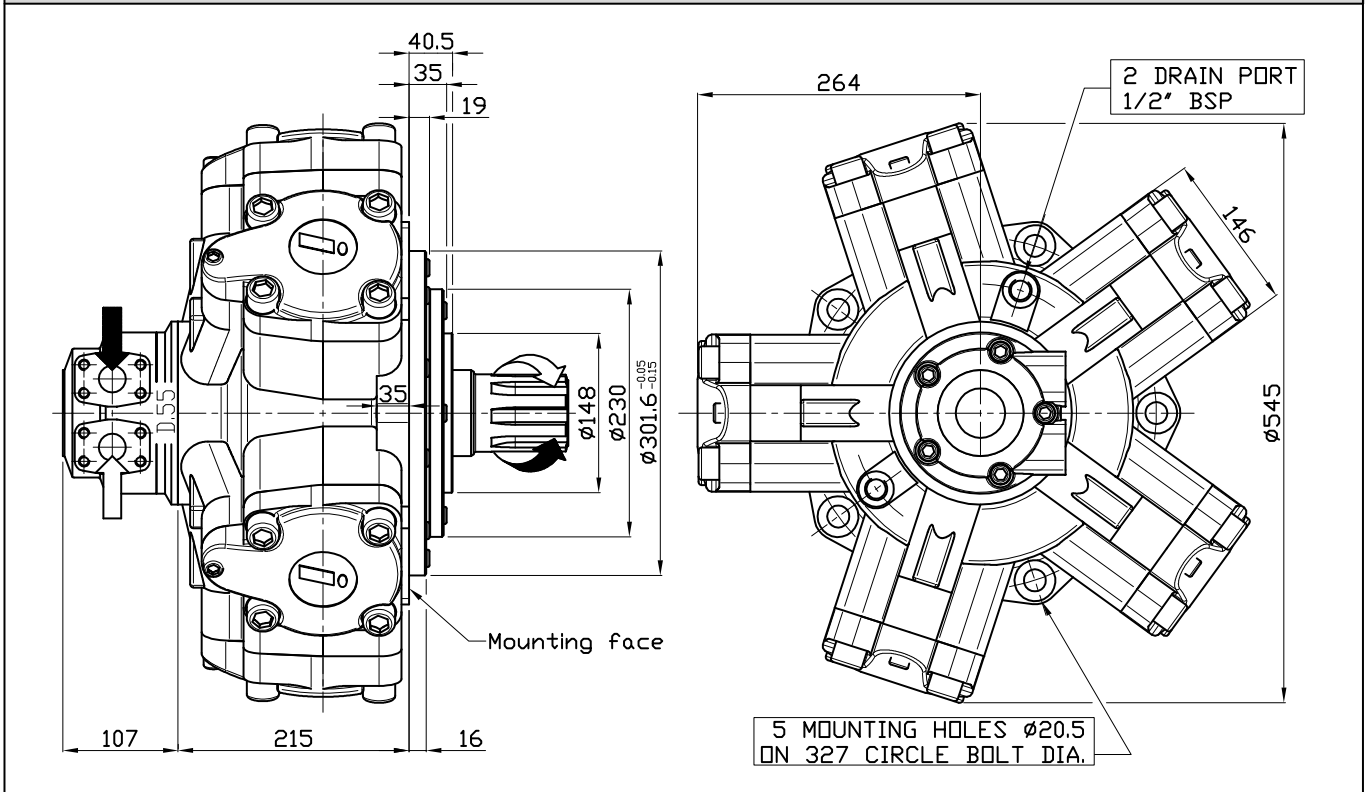
MODEL		IAM 1000 H5	IAM 1200 H5	IAM 1400 H5	IAM 1500 H5	IAM 1600 H5	IAM 1800 H5	IAM 2000 H5	IAM 2200 H5
Displacement	cc/rev	1094	1231	1376	1528	1648	1815	2035	2220
Specific Torque	Nm/bar	17.4	19.6	21.9	24.3	26.2	28.9	32.4	35.3
Max cont. Pressure	bar	250	250	250	250	250	250	250	250
Max int. Pressure	bar	300	300	300	300	300	300	300	300
Peak pressure	bar	350	350	350	350	350	350	350	350
Max continuous speed	rpm	350	300	300	300	300	250	230	220
Peak speed	rpm	400	350	350	350	340	300	260	240
Max continuous power	HP	122	122	122	122	122	122	122	122
	kW	90	90	90	90	90	90	90	90
Max power	HP	161	161	161	161	161	161	161	161
	kW	120	120	120	120	120	120	120	120

- N° of pistons: 5
- Max case pressure: 6 bar
- Max back pressure: 70 bar
- Dry weight: 173 kg
- Temperature range: -30°C ÷ +70°C
- Minimum speed: 0.5 rpm
- Flushing flow: 10 l/min

(\*)for further details regarding flushing go to page 10 of this catalogue.

## SIZE

### IAM 1000-1200-1400-1500-1600-1800-2000-2200 H5



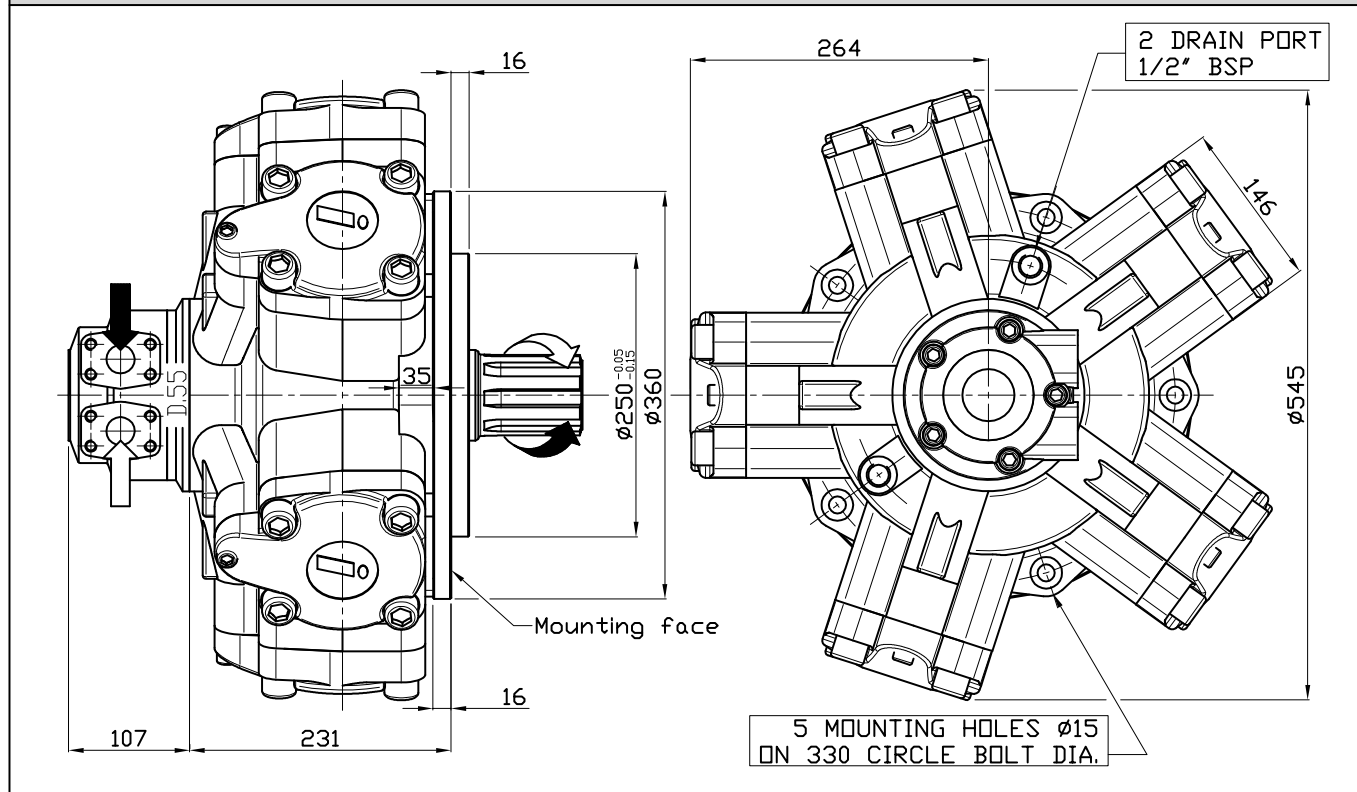
## SHAFT

### IAM 1000-1200-1400-1500-1600-1800-2000-2200 H5

A0: Standard splined shaft	A1: Splined shaft on request
A2: Parallel shaft on request	A3: Female shaft on request

## SIZE

### IAM 1200/C-1400/C-1500/C H5



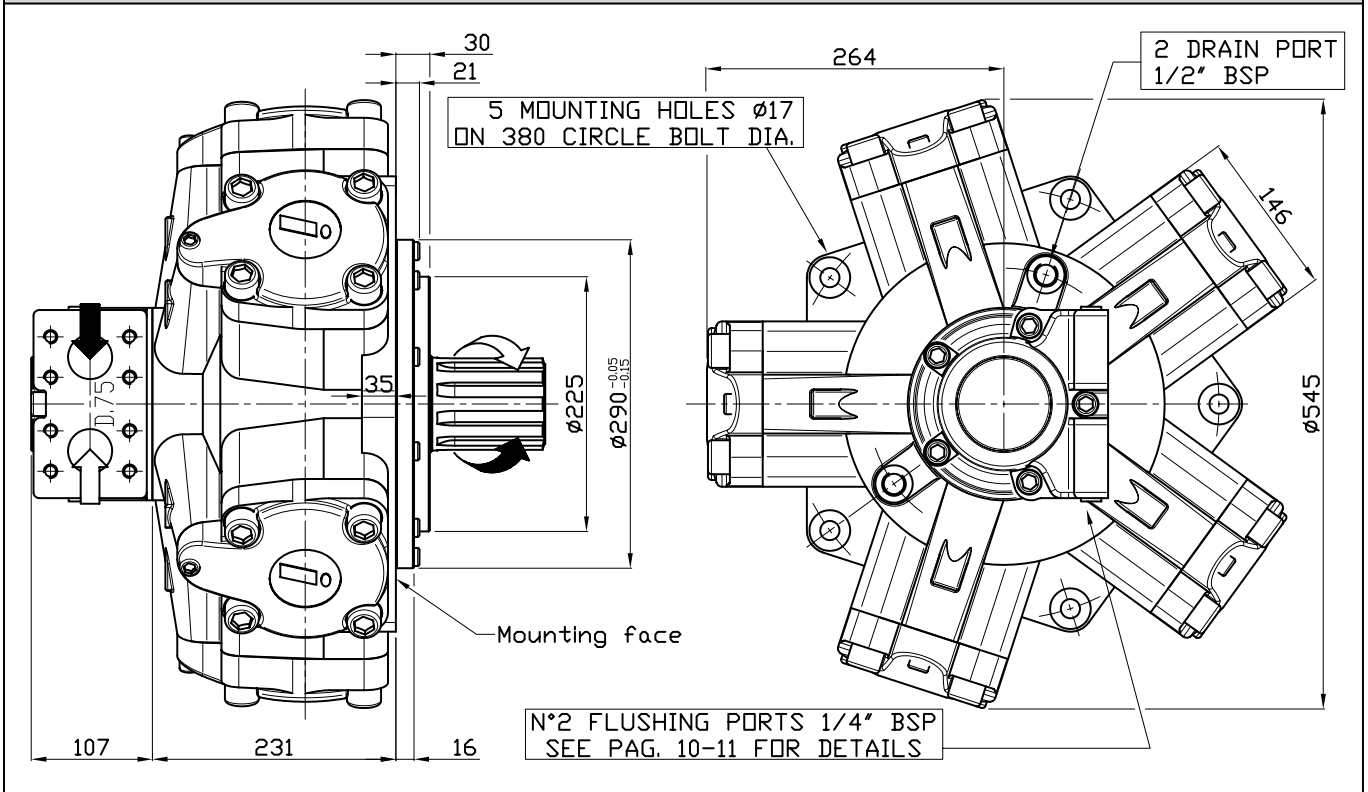
## SHAFT & OPTION

### IAM 1200/C-1400/C-1500/C H5

A0: Standard splined shaft	A1: Splined shaft on request	FL3: connection block
<p>Mounting face</p>	<p>Mounting face</p>	<p>Connection block, fitting D55 distributor, for motor MR 1100/1400/1600/1800/2100</p>
<p>A2: Parallel shaft on request</p>	<p>A3: Female shaft on request</p>	

## SIZE

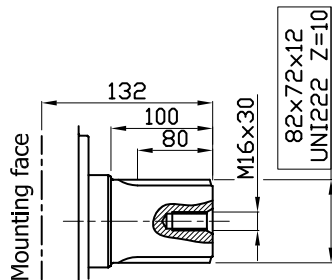
### IAM 1600/C-1800/C-2000/C-2200/C H5



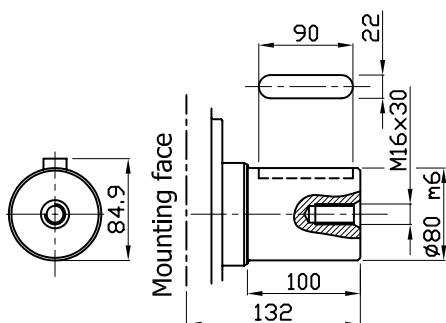
## SHAFT & OPTION

### IAM 1600/C-1800/C-2000/C-2200/C H5

**A0: Standard splined shaft**

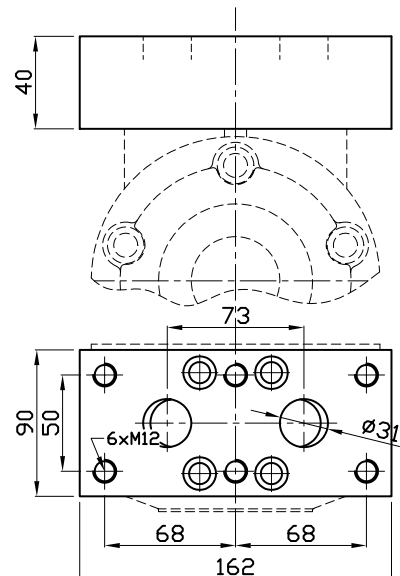


**A2: Parallel shaft on request**



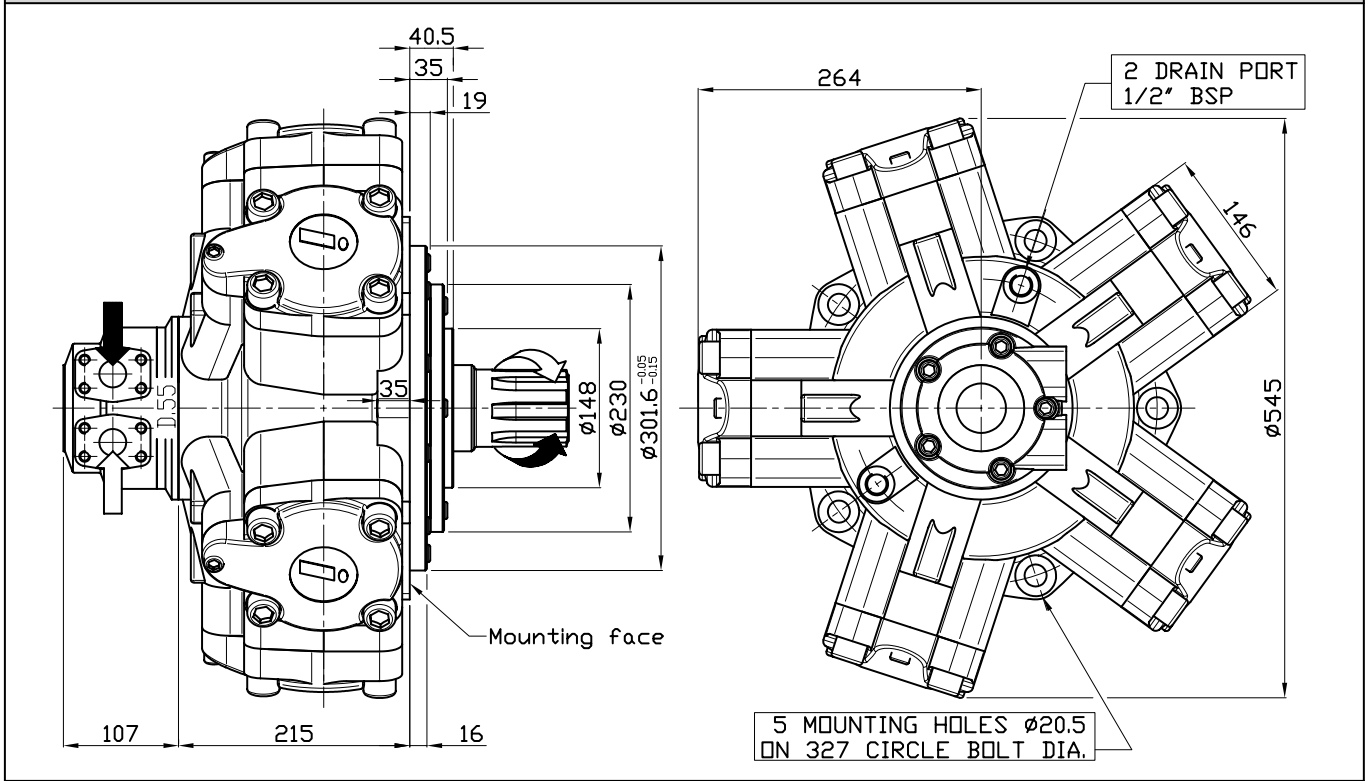
**FL4: connection block**

Connection block, fitting D75 distributor, for motor MR 1100/1400/1600/1800/2100



## SIZE

### IAM 1000/B60-1400/B80-1600/B100 H5



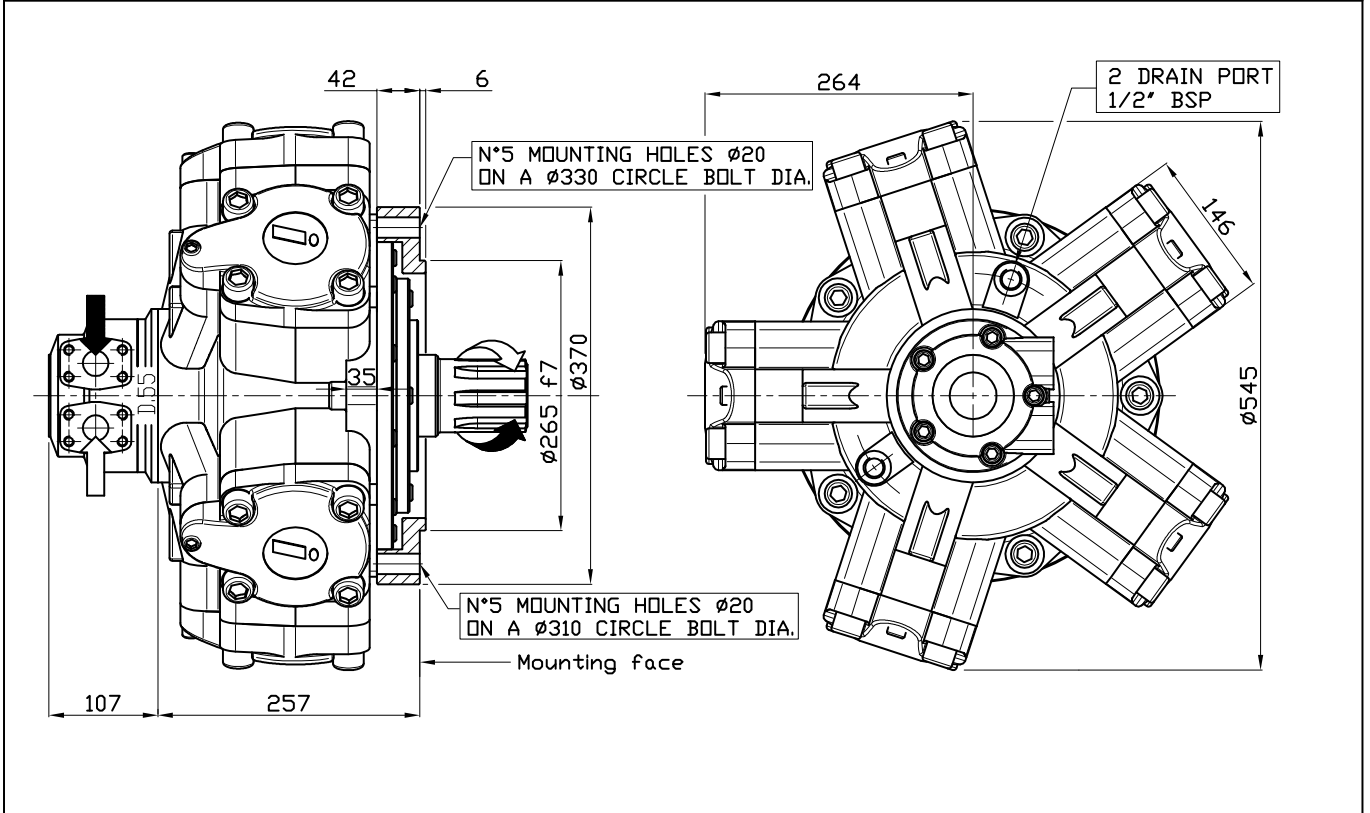
## SHAFT & OPTION

### IAM 1000/B60-1400/B80-1600/B100 H5

A1: Standard splined shaft	FL5: connection block	FL6: connection block
<p>A2: Parallel shaft on request</p>		

## SIZE

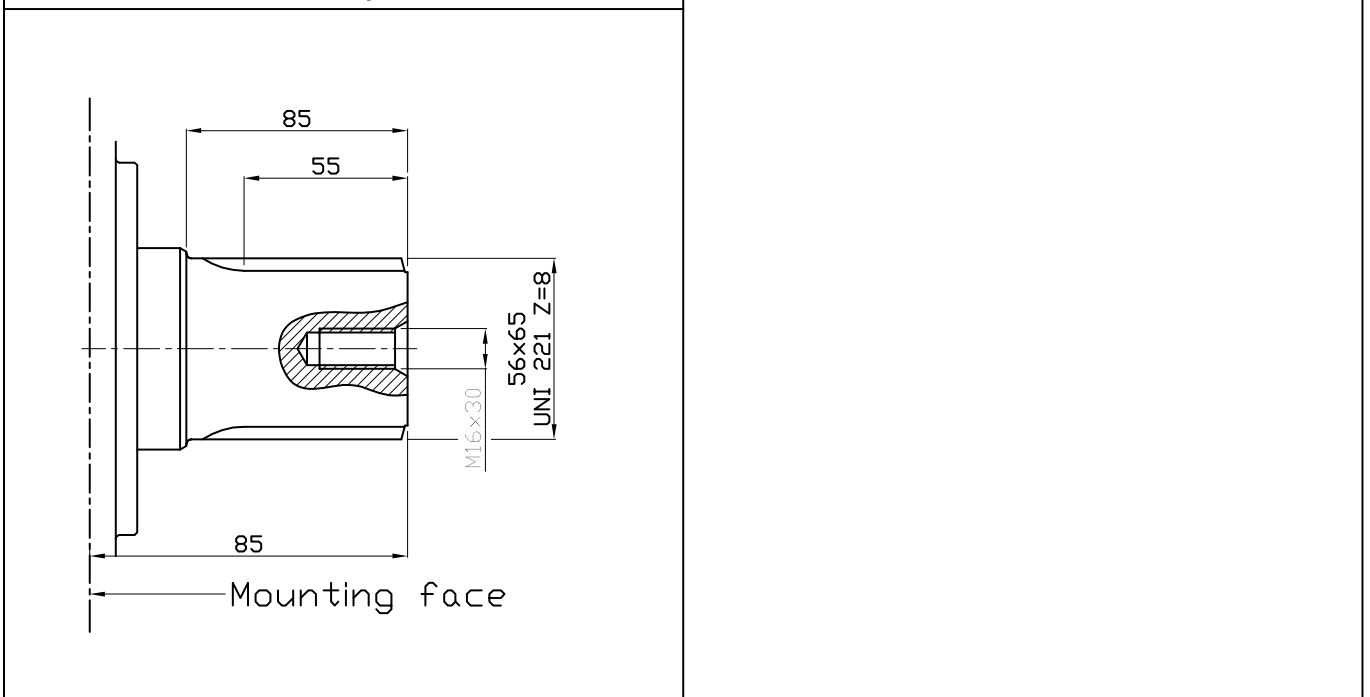
IAM H5 1000/GM5-1200/GM5-1400/GM5-1500/GM5  
1600/GM5-1800/GM5-2000/GM5-2200/GM5 (S)



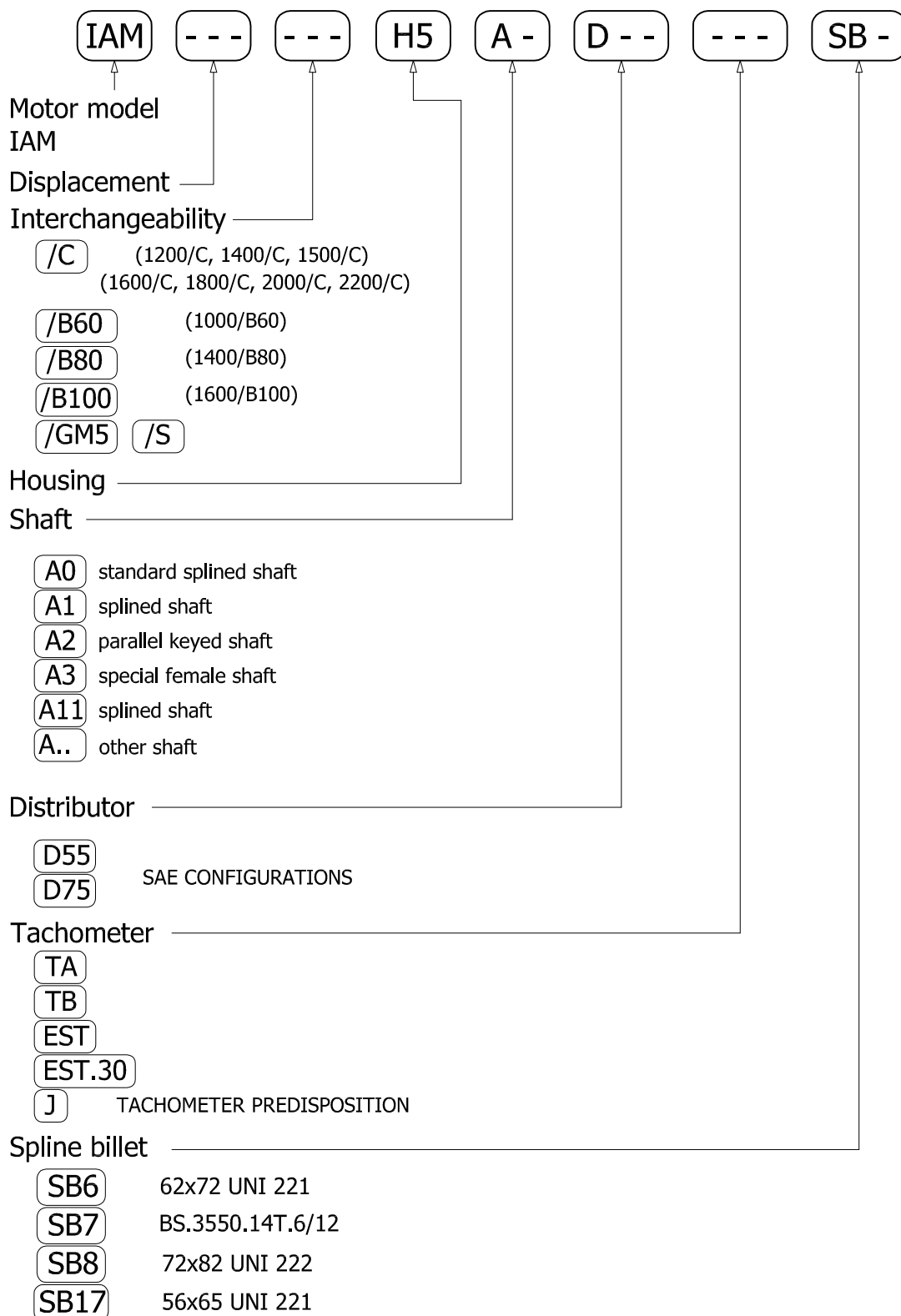
## SHAFT

IAM H5 1000/GM5-1200/GM5-1400/GM5-1500/GM5  
1600/GM5-1800/GM5-2000/GM5-2200/GM5 (S)

**A0: Standard splined shaft**

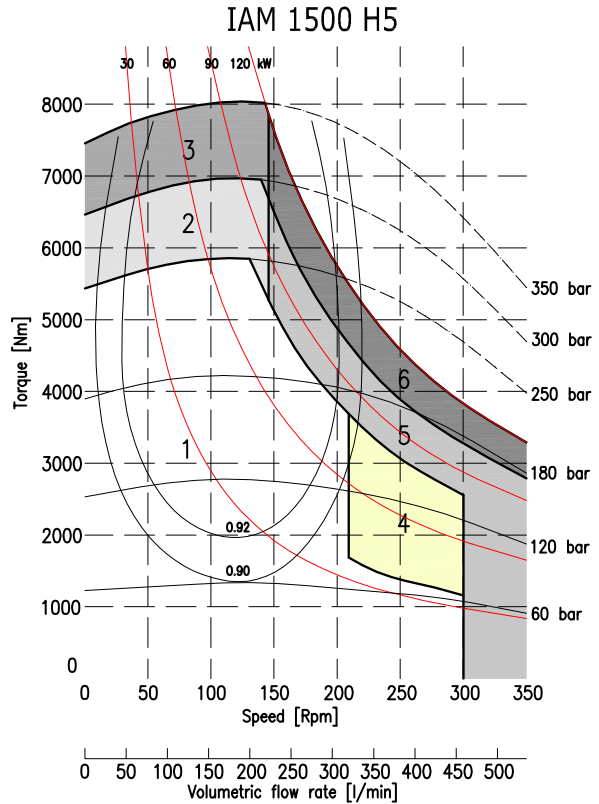
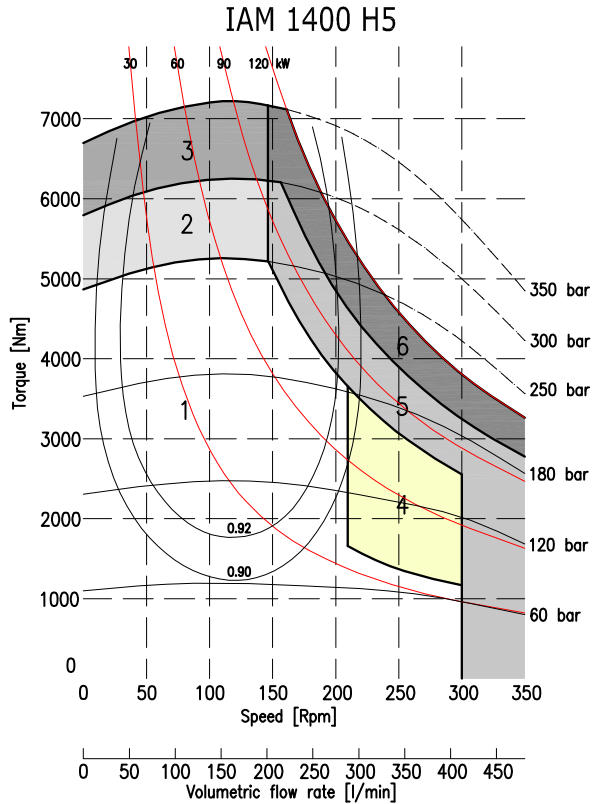
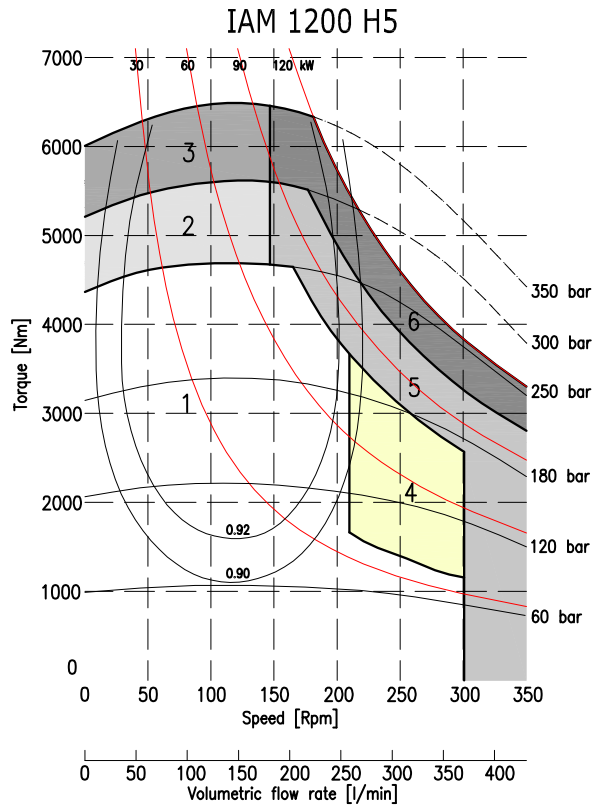
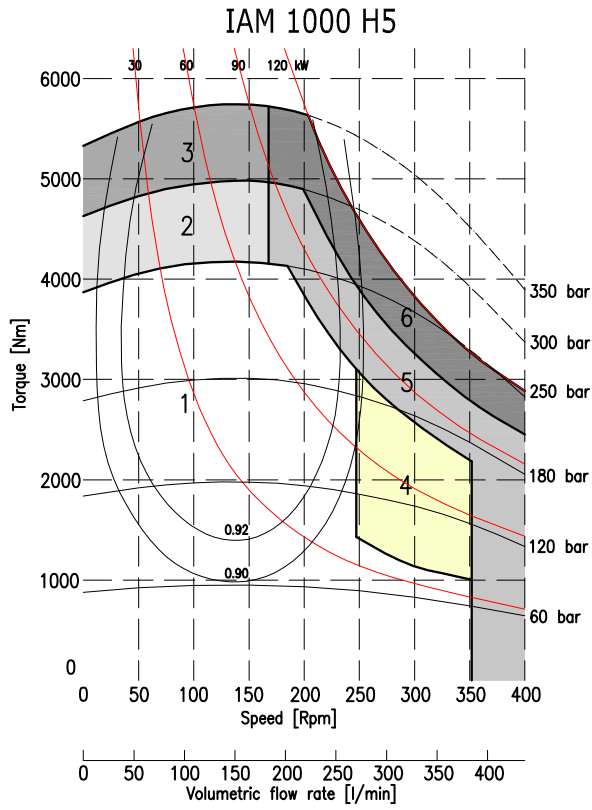


## ORDERING INSTRUCTIONS



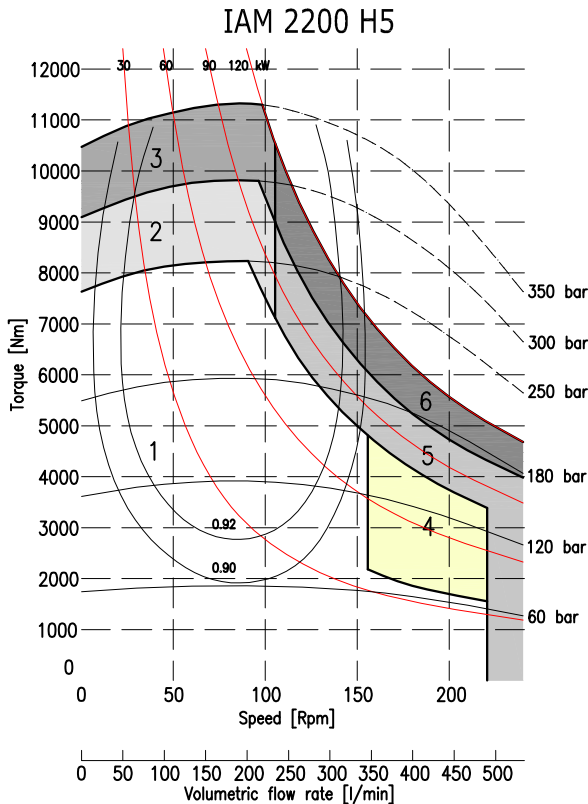
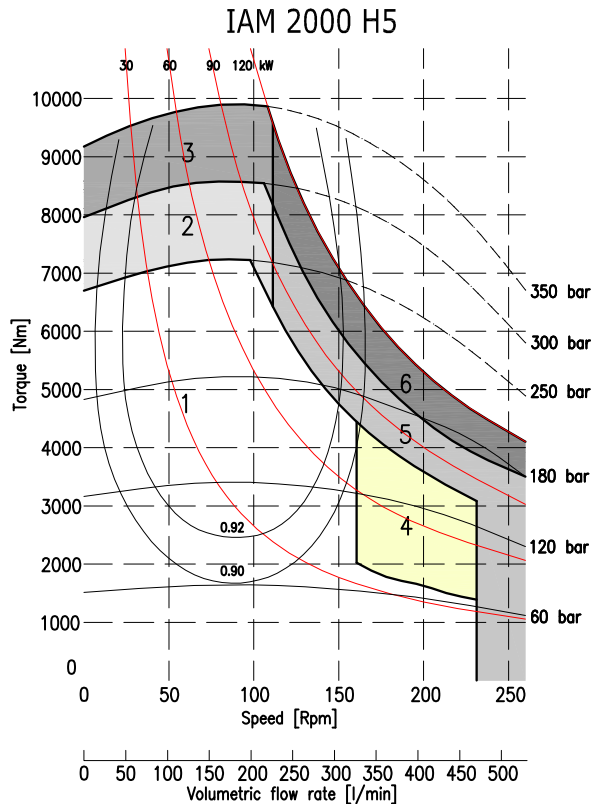
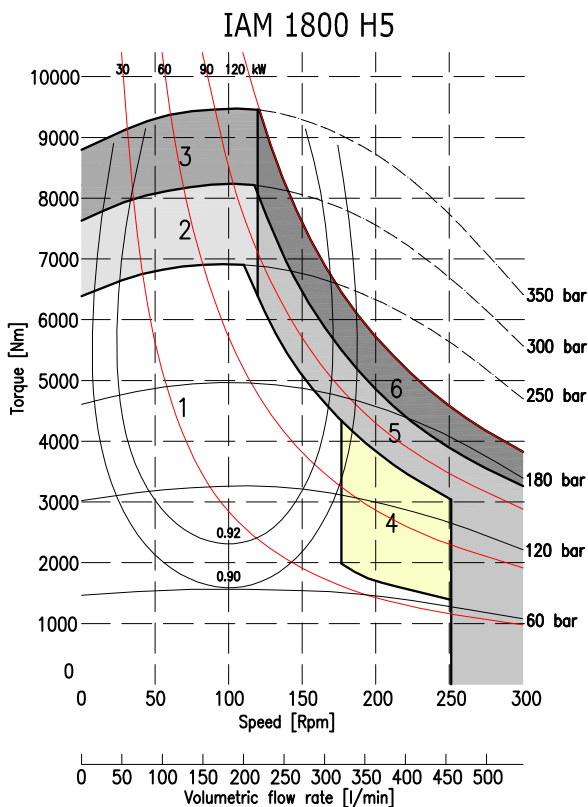
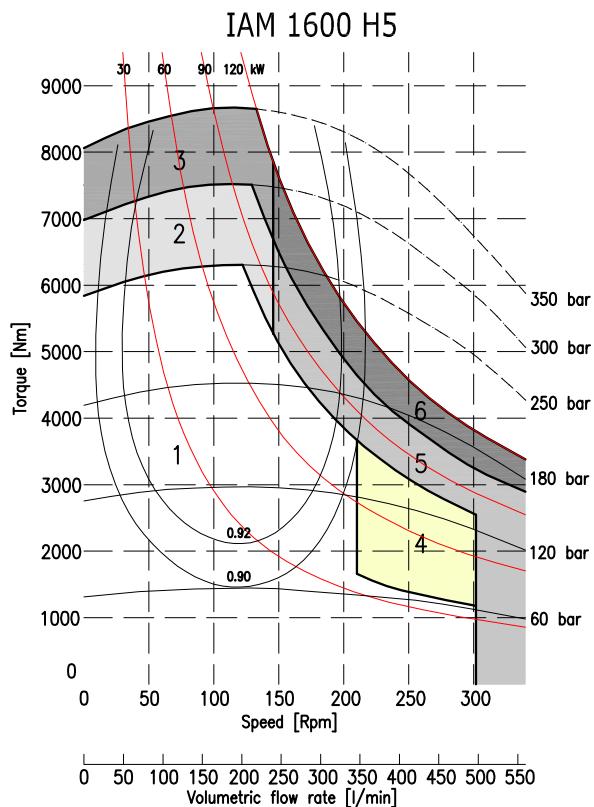
**EXAMPLE:** IAM.1200.H5.A1.D55  
IAM.1600.H5.A0.D75.TA.SB6  
IAM.1800/C.H5.A0.D75.EST30.SB8





1	Continuous operation
2	Intermittent operation for period 3-5 minutes every 10-15 minutes
3	Intermittent operation for very short period (3-5 seconds every 10-15 minutes)

4	Continuous operation with flushing
5	Intermittent operation for period 3-5 minutes every 10-15 minutes with flushing
6	Intermittent operation for very short period (3-5 seconds every 10-15 minutes) with flushing



1	Continuous operation
2	Intermittent operation for period 3-5 minutes every 10-15 minutes
3	Intermittent operation for very short period (3-5 seconds every 10-15 minutes)

4	Continuous operation with flushing
5	Intermittent operation for period 3-5 minutes every 10-15 minutes with flushing
6	Intermittent operation for very short period (3-5 seconds every 10-15 minutes) with flushing